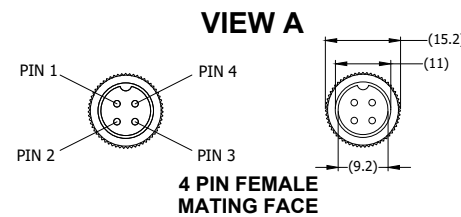
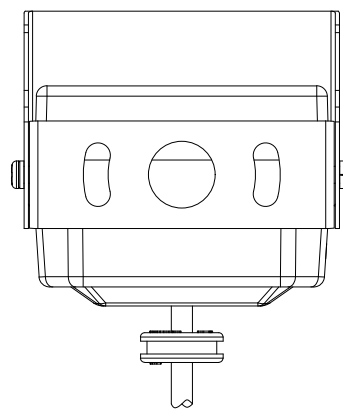
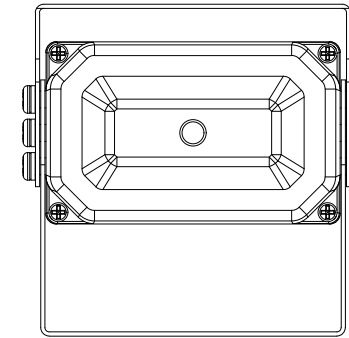
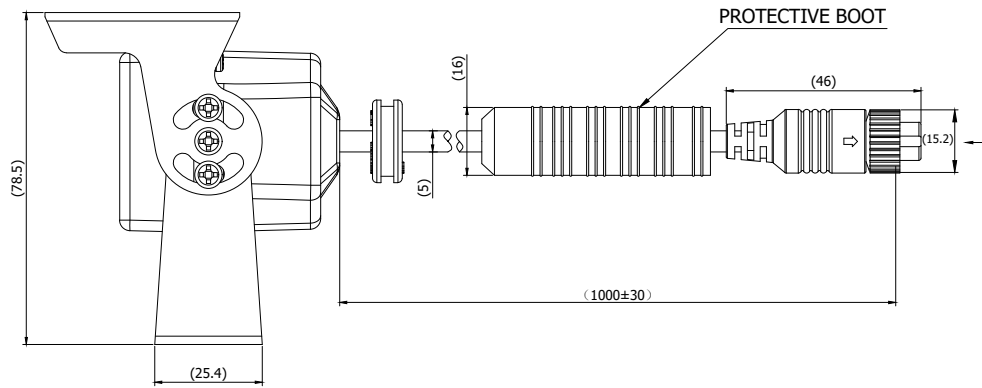
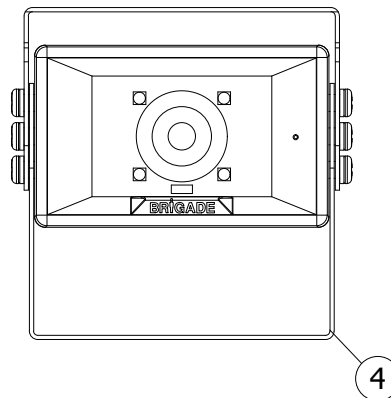
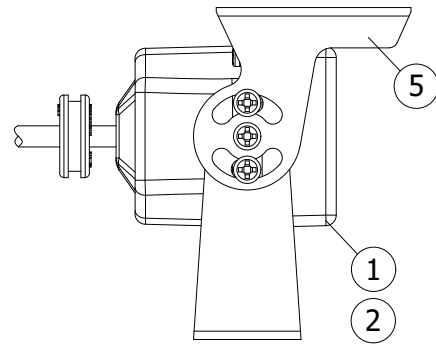
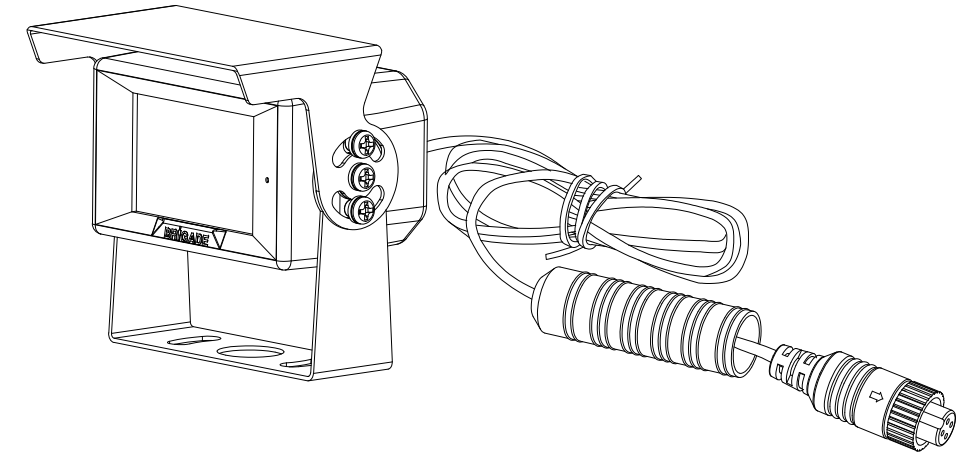


TABLE 1: VBV-71XXC CAMERA KIT OPTIONS

PART NO.	MODEL NO.	DESCRIPTION
(5466A)	VBV-7100C	Select Camera, Audio, HD 1080p 25fps
(5467A)	VBV-7101C	Select Camera, Audio, HD 1080p 30fps



PIN #	WIRE COLOUR	DESCRIPTION
1	RED	+12V
2	BLACK/SHIELD	GND
3	WHITE	AUDIO
4	YELLOW	VIDEO

- NOTES:**
- REFER TO PRODUCT SPECIFICATION FOR PRODUCT SPECIFICATIONS.
 - REFER TO COMPONENT DRAWINGS FOR COMPONENT DETAILS
 - FOR PACKAGING AND LABELLING DETAIL LABEL REFER TO MASTER BOM.

PROPRIETARY NOTICE
 THIS DESIGN AND TECHNICAL INFORMATION APPEARING ON THIS DRAWING IS THE PROPERTY OF BRIGADE ELECTRONICS, AND IS DISCLOSED IN CONFIDENCE. IT IS NOT TO BE COPIED, REPRODUCED, REVEALED TO OR EXPROPRIATED BY OTHERS, EITHER IN WHOLE OR IN PART WITHOUT THE EXPRESS WRITTEN CONSENT OF BRIGADE ELECTRONICS.

Sheet No
1 of 2

BRIGADE[®]
 www.brigade-electronics.com

Assembly PI Approval W.WU	Approved by R.PENTLEY	Checked by A.KEBEDE	Drawn by S.LAWAL
Angle of Projection 	Units mm	Scale N/A	Released 13/04/2023
Status RELEASED	Assembly Ref VBV-71XXC SERIES		
Part No SEE TABLE 1	BE-004689-00-22		

Revision Notes.				
R1 -				
APA: -	Drawn:-	Checked:-	Approved:-	Date: -

TABLE 2: CAMERA KIT CONTENTS

ITEM	①	②	③	④	⑤	⑥
PART NO.	5474A	5475A	5879	3189A	3190A	3191
MODEL NO.	VBV-7100C-C	VBV-7101C-C	VBV-71XXC-IG	VBV-7/1XXC-BKT	VBV-7/1XXC-S	VBV-7/1XXC-FIX
DESCRIPTION	AUDIO / AHD 2.0 1080P 25FPS CAMERA	AUDIO / AHD 2.0 1080P 30FPS CAMERA	VBV-71XXC SERIES INSTALLATION GUIDE (NOT SHOWN)	VBV-7/1XXC SERIES BRACKET	VBV-7/1XXC SERIES SUNSHIELD	VBV-7/1XXC SERIES FIXING KIT
VBV-7100C	QTY. 1	-	1	1	1	1
VBV-7101C	QTY. -	1				

NOTES:

1. REFER TO PRODUCT SPECIFICATION FOR PRODUCT SPECIFICATIONS.
2. REFER TO COMPONENT DRAWINGS FOR COMPONENT DETAILS
3. FOR PACKAGING AND LABELLING DETAIL LABEL REFER TO MASTER BOM.

PROPRIETARY NOTICE

THIS DESIGN AND TECHNICAL INFORMATION APPEARING ON THIS DRAWING IS THE PROPERTY OF BRIGADE ELECTRONICS, AND IS DISCLOSED IN CONFIDENCE. IT IS NOT TO BE COPIED, REPRODUCED, REVEALED TO OR EXPROPRIATED BY OTHERS, EITHER IN WHOLE OR IN PART WITHOUT THE EXPRESS WRITTEN CONSENT OF BRIGADE ELECTRONICS.

Sheet No
2 of 2

BRIGADE®
www.brigade-electronics.com

Assembly PI Approval W.WU		Approved by R.PENTLEY		Checked by A.KEBEDE		Drawn by S.LAWAL	
Units mm	Scale N/A	Released 13/04/2023		Assembly Ref -			
Status RELEASED		VBV-71XXC SERIES					
Part No SEE TABLE 1		BE-004689-00-22					

